

CIP's and PaRts

heavy duty Rack

These heavy duty all stainless CIP racks are designed to fit almost any style of claw, including the 300cc or the Harmony®.

U-bolts to mount the racks are Sold Separately, 10248.

10240 - Heavy duty hang-all rack, Only

10250 - Complete assembly, less u-bolts with #7350 cups for 06 shell

10252 - Complete assembly less u-bolts with #7340 cups for BM shell

10254 - Complete assembly, less u-bolts with #7330 cups for Surge® and Universal® shells

10256 - Complete assembly, less u-bolts with #7360 cups

HIGH
POLISH
FINISH



light duty Rack

10235 - Light duty CIP Rack with rod cup supports, Only

10236 - Complete assembly with #7350 cups for 06

10237 - Complete assembly with #7340 cups for BM

10238 - Complete assembly with #7330 cups for Surge®

10239 - Complete assembly with #7360 cups



**CIP Rack Assemblies Include:
Stainless CIP tee, duckbill
drain and 4 jetter cups**

RuBBer Cups only for heavy duty and light duty cip RACKs

25160 - #7350 for DeLaval® shells, 1 3/8" ID opening

25161 - #7340 for BouMatic® shells, 1 1/2" ID opening

25162 - #7330 for Surge® shells, 2" ID opening

25163 - #7360 for DeLaval® 6100 shells and also for some Westfalia® shells, 1 1/2" ID opening



Compact, high quality, stainless steel Drawer style CIP with excellent drainage. The rubber cups are a sturdy "snap in" style for quick attachment and removal. The bottom slot openings allow exceptional drainage.

Kleen-flo® drawer style cip Rack and PaRts

10261 - Complete CIP Rack assembly, with 27325 rubber cups for DL, tee and duckbill

10262 - Complete CIP Rack assembly, with 27322 rubber cups for BM, tee and duckbill

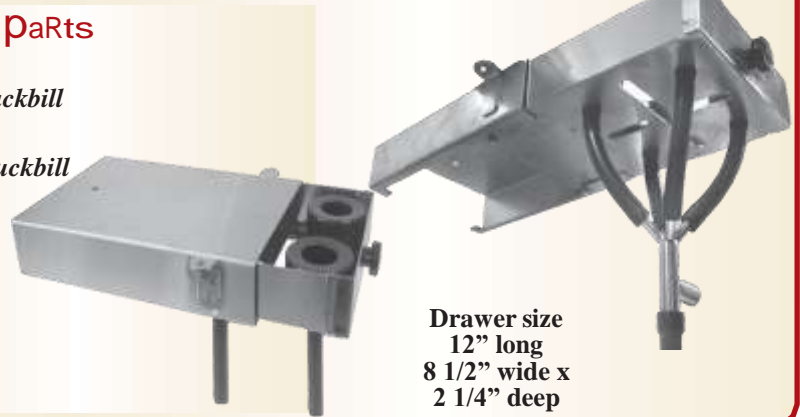
10265 - CIP Rack ONLY

10268 - Black knob for drawer

10269 - Stop guide for drawer

27325 - Rubber cup, for DeLaval® or Westfalia®

27322 - Rubber cup, for BouMatic® or Surge®



Drawer size
12" long
8 1/2" wide x
2 1/4" deep



10360 - CIP Distributor Tee, out of line

10361 - CIP Distributor Tee, in line

10362 - Stainless CIP Tee - Vented 0.078, #47, out of line

18037 - Duckbills



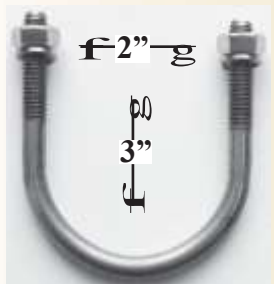
59206 - Plastic restrictors for CIP Tee



25168 - Old Style Replacement jetter cup for DL wash rack (7310)



10248 - Stainless U-Bolts with nuts and washers

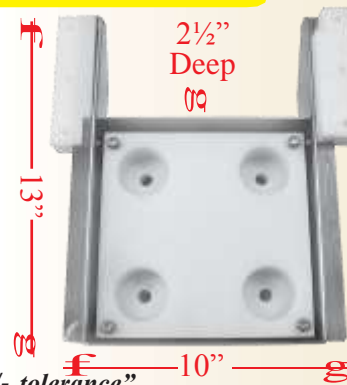


cip's and PaRts

This CIP mounts with side blocks. The tray has stops so the drawer cannot be pulled out. The drain is a 5/8" ID stainless nipple coming straight out of the bottom

Complete Under CuRB Sliding CIP

- 10274** - Complete CIP; 47mm version; *for smaller head inflation*
- 10275** - Complete CIP; 51mm version; *for DL or WF shell*
- 10276** - Complete CIP; 55mm version; *for Milkrite Silmax or Impulse IP3*
- 10277** - Complete CIP; 57mm version; *for Surge® or BM shell*
- 10278** - Complete CIP; 52mm version; *for GEA Inflation on IQ claw*



Under CuRB CIP Blocks, only

- 10280** - 55mm delrin block; *Milkrite Silmax or Impulse IP3; "55MM Actual size - .5MM +/- tolerance"*
- 10281** - 47mm delrin block; *for smaller head inflations; "47MM Actual size - .5MM +/- tolerance"*
- 10282** - 51mm delrin block; *for DL or WF shells; "49.5MM Actual size - .5MM +/- tolerance"*
- 10283** - 57mm delrin block; *for Surge or BM shells; "56.5MM Actual size - .5MM +/- tolerance"*
- 10284** - 52mm delrin block; *for GEA inflations on IQ claw; "50.5MM Actual size - .5MM +/- tolerance"*

PaRts foR Under CuRB CIP

- 10279** - O-ring
- 10286** - Set of 2 mounting slides
- 10273** - Drain assembly for Drawer or Fold Down CIP rack
- 10285** - Stainless mounting plate for Under Curb CIP rack

10285



This Sturdy Fold Down CIP only requires minimal curb space when in upright position - 5/8" wash nipple comes out the side to avoid pinching the hose when unit is lowered

Complete fold down CIP tRay

- 10291** - Complete CIP ;51mm; *for DL or WF shell*
- 10292** - Complete CIP; 57mm; *for Surge® or BM shell*
- 10293** - Complete CIP; 47mm; *for smaller head inflation*
- 10294** - Complete CIP; 52mm; *for GEA Inflations on IQ claw*
- 10295** - Complete CIP; 55mm; *for Milkrite Silmax or Impulse IP3*



fold down CIP Blocks, only

- 10301** - 52mm delrin block; *for GEA Inflation on IQ claw; "50.5MM Actual size - .5MM +/- tolerance"*
- 10302** - 47mm delrin block; *for smaller head inflations; "47MM Actual size - .5MM +/- tolerance"*
- 10303** - 51mm delrin block; *for DL or WF shell; "49.5MM Actual size - .5MM +/- tolerance"*
- 10304** - 57mm delrin block; *for Surge® or BM shell; "56.5MM Actual size - .5MM +/- tolerance"*
- 10305** - 55mm delrin block; *for Milkrite Silmax or Impulse IP3; "55MM Actual size - .5MM +/- tolerance"*

PaRts foR Under CuRB CIP

- 10273** - Drain assembly for Drawer or Fold Down CIP rack

CUSTOM SIZES AVAILABLE

Replacement h manifold for dl



21775



21755

21775 - Plastic H manifold for fold down CIP for DL

21755 - Radel CIP Rod for H manifold

21761 - Jetter cup for DL H block, for BM shell (7313)

21760 - Jetter cup for DL H block, for 06 shell (7312)

hand Sink

holds 4.5 Gallons
dimensions
17¼" W x 16¼" I x 6½" D

78280 - Complete hand sink
with mounting bracket, faucet and drain

78284 - Faucet for hand sink

21385 - Drain assembly
with rubber stopper, 1¼" threads



New Style
with single knob

White Nylon Wash pluGs

3"

78405 - 4 piece - 3" wash plug set, less tee
Includes: 2 gaskets, 1- short plug and 1- long plug

78400 - 5 piece - 3" wash plug set
Includes: 1- 3" tee, 2 gaskets, 1- short plug and 1- long plug

54329 - 3" Pipeline gasket

54313 - 3" tri clover tee

78406 - Short 3" plug only

78407 - Long 3" plug only



2"

78392 - 4 piece - 2" wash plug set, less tee
Includes: 2 gaskets, 1- short plug and 1- long plug

78390 - 5 piece - 2" wash plug set
Includes: 1- 2" tee, 2 gaskets, 1- short plug and 1- long plug

54327 - 2" Pipeline gasket

54312 - 2" tri clover tee

78394 - Short 2" wash plug

78395 - Long 2" wash plug



aiR Blow Valve and paRts



10670 - 2" Air blow valve, for 1½ check Y, 3/8" NPT

10685 - Stainless screen

10681 - Rubber shutoff with stem

10687 - Filter (PACK OF 10)

miK Wash DiveRteR Valves



78365 - Stainless 2"

78367 - Stainless 2½"

78369 - Stainless 3"

78371 - Stainless 4"

Our vertical wash vats are made from heavy duty 16 Gauge stainless steel.

Vertical Wash Vats without Sight Glass

- 27050** - 50 gallon.....26"W x 30"H
- 27075** - 75 gallon.....26"W x 38"H
- 27100** - 100 gallon.....26"W x 47"H
- 27125** - 125 gallon.....31"W x 40"H
- 27175** - 175 gallon.....31"W x 57"H
- 27225** - 225 gallon.....38"W x 48"H

The 4 stainless legs on the bottom of this vat are designed to fit a standard 1½" OD tubing inside them. This allows the vat to be adjusted to whatever height desired. The drain on these vats consists of a 2" OD, standard tubing (non threaded) and accepts the yellow motorized drains.

Vertical Wash Vats with Sight Glass

- 27051** - 50 gallon.....26"W x 30"H
- 27076** - 75 gallon.....26"W x 38"H
- 27101** - 100 gallon.....26"W x 47"H
- 27126** - 125 gallon.....31"W x 40"H
- 27176** - 175 gallon.....31"W x 57"H
- 27226** - 225 gallon.....38"W x 48"H

Also available with a sight Glass



note: Height does not include the added length of the legs.

- 27090** - Stainless drain pan for wash vat. Dimensions = 30" square by 2" deep. *Designed to be set into the concrete on a new installation.*
- 27004** - Leg extensions for wash vats - *Includes: 4 - 18" extensions*
- 27040** - Stainless cover with hinge for vertical 50, 75 or 100 gallon wash vats

All measurements listed below are from one inside wall to the next inside wall. The width of all vats are 18" and the depth of all vats are 12". When filled with water, 2" from the top, the capacity of them is 0.61 gallons per inch. Take this times the length of the compartment and it gives you the capacity of the vat.

Horizontal - Single Wash Vats

- 21370** - 22"
- 21378** - 29"
- 21371** - 36"
- 21372** - 49"
- 21373** - 60"
- 21374** - 72"

All horizontal wash vats include stainless steel drain assembly and rubber stopper. Leg or wall brackets sold separately.

Horizontal - Double Wash Vats

- 21365** - 22" x 22"
- 21367** - 22" x 29"
- 21380** - 22" x 36"
- 21369** - 22" x 49"
- 21375** - 29" x 29"

Made with 22 Gauge stainless steel



Drain Assembly

- 21385** - Drain assembly with rubber stopper, 1¾" threads
- 21382** - Drain nut
- 21384** - Rubber washer for drain
- 21387** - Rubber stopper for drain

Brackets

Sold as a set

- 21390** - Wall brackets (2) for horizontal wash vat
- 21392** - Leg brackets (2) for horizontal wash vat

Horizontal Wash Vat - Single - Deeper Style

All measurements listed below are from one inside wall to the next inside wall. The inside width of the deeper vats is 22" and the inside depth is 15½". The capacity equals 1 gallon per 1 inch.

- 21355** - 30" = 30 gals.
- 21356** - 40" = 40 gals.
- 21357** - 50" = 50 gals.
- 21358** - 60" = 60 gals.

Brackets for Deeper Vats

Sold as a set

- 21397** - Wall Brackets (2) for deeper wash vat
- 21398** - Leg Brackets (2) for deeper wash vat

HORIZONTAL WASH VATS - VARIOUS SIZES ARE AVAILABLE

Depend-o-Drains and PaRts

We only offer a 30 day warranty on Depend-o-drains

- 22023** - 110 volt Depend-o-drain, yellow motorized drain *with black splash cover, plate flapper style - normally open (DOD #20240401)*
- 22025** - 220 volt Depend-o-drain, yellow motorized drain *with black splash cover, plate flapper style - normally open (DOD #20241402)*
- 22022** - 110 volt Depend-o-drain, grey motor cover, ball valve style - *normally open (DOD #20730510)*
- 22032** - 220 volt Depend-o-drain, grey motor cover, ball valve style - *normally open (DOD #20731810)*
- 22020** - 110 volt Depend-o-drain, grey motor cover, ball valve style - *normally closed (DOD #20750400)*
- 22019** - 220 volt Depend-o-drain, grey motor cover, ball valve style - *normally closed*
- 22033** - 24 volt AC Depend-o-drain, standard, *with black splash cover, plate flapper style - normally open*
- 22034** - 24 volt AC Depend-o-drain, standard, grey motor cover - *normally open*
- 22035** - Transformer for Depend-o-drain, *110 volt*
- 22036** - Transformer for Depend-o-drain, *220 volt*
- 22037** - Transformer for Depend-o-Drain, *24 volt*
- 22024** - 110 volt motor, *ONLY*
- 22026** - 220 volt motor, *ONLY*
- 22027** - 4 piece Depend-o-drain seal plate assembly.
Includes: Stainless plate for rubber seal, rubber seal, spring & screw. These parts come assembled.



22035

Ball Style
with Gray
motor cover
are CSA
Approved



22024



not CSA
Approved

Bender Washers and PaRts

- 78540** - Bender diverter, 110 volt
 - 78541** - Bender diverter, 220 volt
 - 78536** - Bender diverter solenoid, 110 volt
 - 78538** - Bender diverter solenoid, 220 volt
 - 78542** - Stopper rod assembly *for Bender diverters*
 - 78546** - Bender diverter gasket (*2 needed per diverter*)
-
- 78500** - #8500 Bender Washers, 110 volt
 - 78507** - O-ring seal for jar on Bender Washer
 - 78515** - Detergent and acid jar *for Bender 8500 washer*
 - 78725** - Timer with harness *for Delaval® 3000, 8500 & 9750 washers*
 - 78750** - Timer only - 120V #9750 (*no harness*)
 - 78751** - Timer only - 240V #9750 (*no harness*)
 - 78569** - Pressure switch *for Bender Washer*
 - 78510** - Detergent top assembly *for 8500 washer*



- 78495** - Honeywell
limit switch
for washers



- 78425** - Older style MAC valves
for Surge® Vacuum Wash Control