

Blank Receiver Custom ORDER FORM

All Receivers come with a Lid and Gasket ~ Drawings available Upon Request

To order a custom Receiver, please fill out all applicable information on the form Below, sign and fax.

- 20105** - Blank 18" x 18" receiver, without trapoutlet

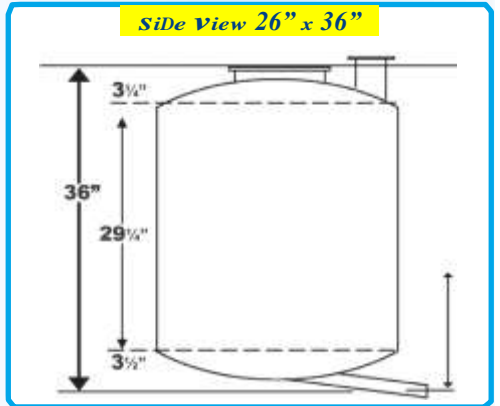
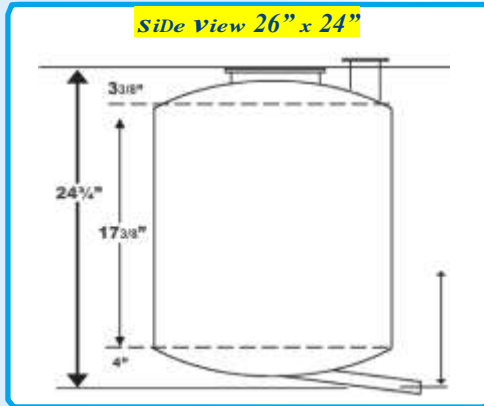
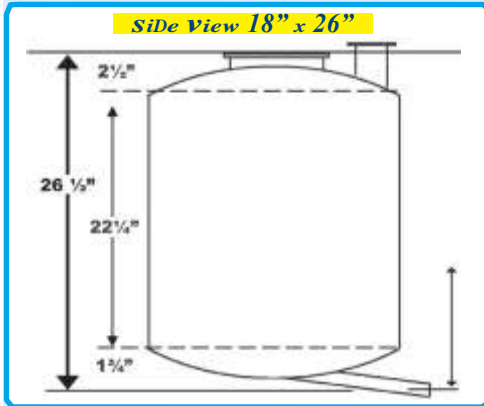
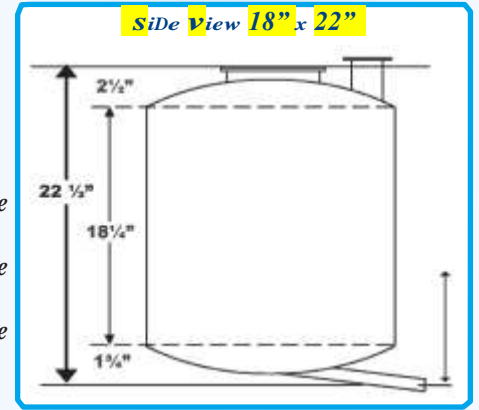
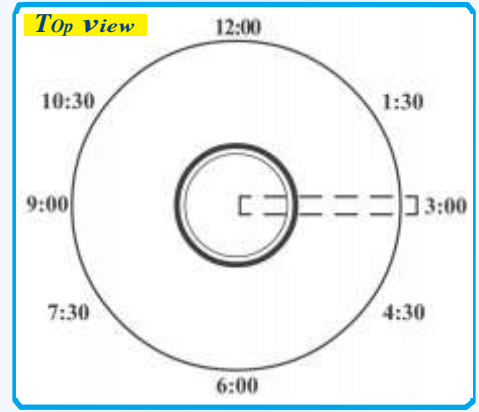
- 10087** - Blank 18" x 22" receiver, fixed bottom, *with 3" trap at 4:30*
- 10081** - Blank 18" x 22" receiver, swivel bottom, *with 3" trap outlet*
- 20095** - Blank 18" x 22" receiver, without trapoutlet

- 20264** - Blank 18" x 26" receiver, fixed bottom, *with 2" milk pump outlet*
- 20270** - Blank 18" x 26" receiver, swivel bottom, *with 3" trap outlet*
- 20263** - Blank 18" x 26" receiver, without trapoutlet

- 20290** - Blank 26" x 24" receiver, without trapoutlet - *1 1/2" milk pump outlet*
- 20292** - Blank 26" x 24" receiver, without trapoutlet - *2" milk pump outlet*
- 20293** - Blank 26" x 36" receiver, without trapoutlet - *2" milk pump outlet*

- 20277** - Blank receiver for swing parlor, without trapoutlet

- 20280** - Master number for Standard ferruled inlet
Please add -1.5, -2, -2.5, -3 or -4 after Master part# to get right size and price
- 20284** - Master number for ferruled inlet with 45 degree elbow
Please add -1.5, -2, -2.5, -3 or -4 after Master part# to get right size and price
- 20287** - Master number for Parallel inlets welded on custom receivers
Please add -1.5, -2, -2.5, -3 or -4 after Master part# to get right size and price
- 20289** - 3" trap outlet welded on receiver
- 20288** - 4" trap outlet welded on receiver



Note: Center to center inlet measurement needs to be taken from the center of the milk pump outlet to the center of the first milk inlet.

- 18" x 18" = 16 Gallons/60 Litres
- 18" x 22" = 21 Gallons/79 Litres
- 18" x 26" = 26 Gallons/98 Litres
- 26" x 24" = 48 Gallons/181 Litres
- 26" x 36" = 75 Gallons/284 Litres

Date: _____ PO#: _____

Business &/or Contact Name: _____

Phone#: _____ Fax#: _____

Jar Size: _____

Milk Pump Outlet Size: _____

_____ Swivel bottom (please circle one) Fixed bottom

Signature: _____

	Part # of Inlet	Side/Top	Location	Size	Butt Weld/45	Fer./Weld
A.						
B.						
C.						
D.						

Lowline Receiver Group packages

Receiver Options

20400 - Option 1

includes:

- #10084 - 18" x 22" - 3" corner receiver with 45 degree 3" inlets
- #10086 - Clear lid with gasket
- #20225 - 3" poly trap and bend
- #20199 - Stainless stand with adjustable milk pump plate
- #54323 - 3" clamp
- #54329 - 3" gasket

20402 - Option 2

includes:

- #10085 - 18" x 22" - 3" receiver w/ straight inlets at 3:00 & 9:00
- #10086 - Clear lid with gasket
- #20225 - 3" poly trap and bend
- #20199 - Stainless stand with adjustable milk pump plate
- #54323 - 3" clamp
- #54329 - 3" gasket

20403 - Option 3

includes:

- #10087 - 18" x 22" - 3" blank receiver with 3" trap outlet (See page 26 and 27 for custom order form - custom ferruled inlets can be added)
- #10086 - Clear lid with gasket
- #20225 - 3" poly trap and bend
- #20199 - Stainless stand with adjustable milk pump plate
- #54323 - 3" clamp
- #54329 - 3" gasket

Motor Options

20406 - Option 1 - e-Zee 1Hp group with variable Speed drive (dual rated 1 & 3 pHaSe)

includes:

- #10402 - Copy milk pump with Leeson 3 phase 1 HP motor
- #32570 - ImPulse III variable speed milk pump controller
- #32660 - 24" probe assembly with float for ImPulse III
- #10417 - Milk pump flapper valve
- #78460 - Drain assembly with 1/2" elbow and drain tubing
- #17130 - Heavy duty 1/2" clamp
- #54320 - 1/2" v-insert clamp
- #54326 - 1/2" gasket

20407 - Option 2 - 1 Hp dl style group (1 pHaSe)

includes:

- #10434 - Copy milk pump with Leeson single phase 1 HP motor
- #20324 - Kleen-Flo Liquid level control box (DL style)
- #20349 - 19" DL style probe assembly (please specify if you need another size - also available #20345 - 16" or #20346 - 22 1/2")
- #10416 - Milk pump flapper valve
- #78460 - Drain assembly with 1/2" elbow and drain tubing
- #17130 - Heavy duty 1/2" clamp
- #54320 - 1/2" v-insert clamp
- #54326 - 1/2" gasket

if you need 3 pHaSe please order part 20298

20408 - Option 3 - 1 Hp bm style group (1 pHaSe)

includes:

- #10186 - 4" Milk pump assembly with 1HP Leeson motor, 1 phase
- #20307 - Kleen-Flo Liquid level control box (BM style)
- #20010 - Probe assembly with float
- #10417 - Milk pump flapper valve
- #78460 - Drain assembly with 1/2" elbow and drain tubing
- #17130 - Heavy duty 1/2" clamp
- #54320 - 1/2" v-insert clamp
- #54326 - 1/2" gasket

if you need 3 pHaSe please order part 20294



**If you need a complete receiver group:
Order one part number of your choice
from The Receiver Options Column,
which provides the receiver system;
and One part number from The Motor
Options Column, which will complete
the group.**

Note: *If you need three phase power, please order the specified part numbers which will include the correct three phase components.*

fixed Bottom ReceiverS and paRts

all fixed bottom receiverS come with a Horizontal outlet and are 16 gauge Stainless.
pleaSe See page 28 for our blank receiver order form.

10085 - 18" x 22" receiver with 3" x 3" x 3" straight inlets,
and with trap outlet @ 4:30

10084 - 18" x 22" receiver, 3" x 3" x 3" with 45 degree inlets
and with trap outlet @ 4:30

10087 - 18" x 22" receiver, *with trap outlet @ 4:30, but blank inlets*

20116 - 18" x 18", 3"x3"x3", fixed bottom receiver with 45's at 1:30 and 7:30
and with trap outlet @ 4:30



20189

- Stainless stand for receiver.
 Designed to fit a floor mount
 DeLaval® milk pump
 for 18" receiver

20186

- Receiver stand w/o milk
 pump plate, for 24" receiver



20199- Stainless stands with adjustable
 milk pump plate for 18" receivers

20187 - Stainless stands with adjustable
 milk pump plate for 26" receivers

20193 - Leg set to make
 receiver stands adjustable.
 (Not included with receiver stands)



20196 - Angle brackets
 to convert to a highline
 receiver stand



Receiver Lids

Lids Come with gaSKet

10086 - 7" Receiver lid, *with 1 1/2" probe hole - 7"ID and 8" OD*

10076 - 7" Receiver lid, *without probe hole - 7"ID and 8" OD*

10074 - 6 1/2" Receiver lid, *with 1 1/2" probe hole - 6 3/8"ID and 8" OD*

20295 - 10" Receiver lid, *with 1 1/2" probe hole - 9"ID and 10" OD*

20297 - 10" Receiver lid, *without probe hole - 9"ID and 10" OD*

25199 - Gasket for 7" receiver lid (#1047)

25196 - Gasket for 6 1/2" receiver lid (#1041)

20299 - Gasket for 10" receiver lid

10086 (pictured
 with protective
 covering)



Miscellaneous Receiver Stands

20180

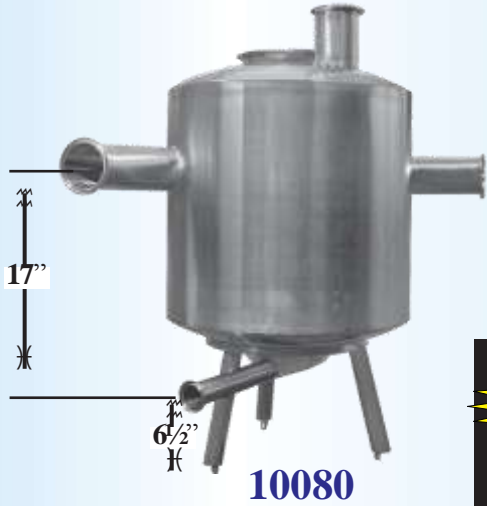
- Stand for 27000
 receiver jar,
 stainless steel

19910

- Stainless motor
 mount bracket for
 Universal® receiver
 panel, copy

Swivel Bottom Receivers and parts

We include the Swivel bottom, gasket, 3 nuts and the 3 holders with all our Swivel bottom receivers. Please See page 28 for our blank receiver order form.



10080

10080 - 18" x 22" receiver 3" x 3" x 3" with 45'S, with horizontal swivel bottom *and with trap outlet @ 4:30*

10078 - 18" x 22" receiver 3" x 3" x 3" with 45'S, with vertical swivel bottom *and with trap outlet @ 4:30*

10081 - 18" x 22" blank receiver, *with 3" trap outlet* and with horizontal swivel bottom

**** Our receivers are made of 16 gauge stainless ****



10082

10082 - 18" x 22" receiver 3" x 3" x 3" with straight inlets, with vertical swivel bottom *and with trap outlet @ 4:30*

10075 - 18" x 22" receiver 3" x 3" x 3" with straight inlets, with horizontal swivel bottom *and with trap outlet @ 4:30*

10083 - 18" x 22" blank receiver, *with 3" trap outlet* and with vertical swivel bottom

10620 - Blue coated stand for swivel receiver, for highline



10613 - Cushion for mounting #118510 stainless bracket to #10620 stand



10089 - Swivel bottoms only, with vertical outlet



10088 - Swivel bottoms only, with horizontal outlet - 1/2"

10096 - Swivel bottom only, for lowline receiver jar - 2"



10079 - Gaskets for swivel bottoms



118510 - Stainless Highline bracket for DeLaval® receiver group

**NOT NEW
USED - REFURBISHED
Does not come with cushions.**



10615 - Adapter plate to mount various milk pumps to DL Bracket

10618 - Cushion for mounting glass DeLaval® Jar to stainless highline bracket, copy



10610 - Blue coated stand for swivel receiver, for lowline

